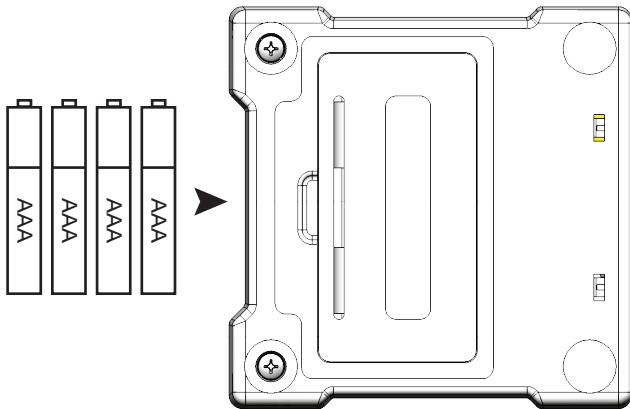


# MagicDot Quick Start Guide

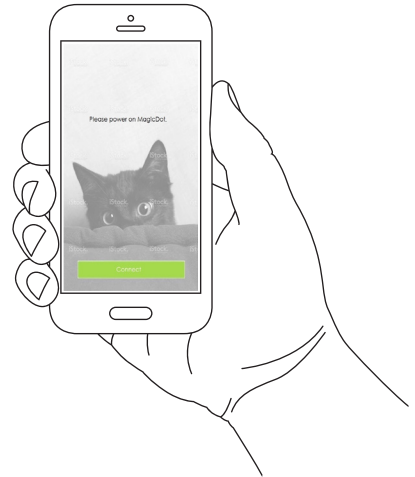
**1**

Install 4 x AAA batteries. The battery door will require a butter knife or flat screw driver to open.



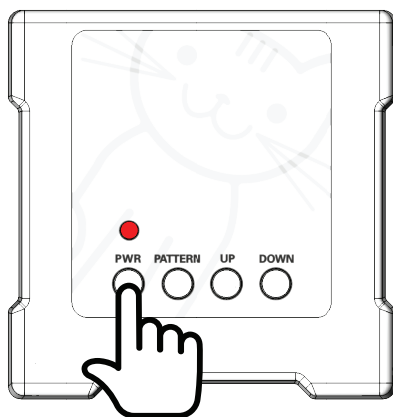
**2**

Install the GoKittyCat app. The app can be located by searching for "GoKittyCat" without the quotes and with no spaces.



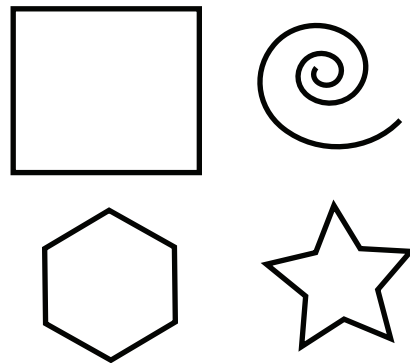
**3**

Launch the GoKittyCat app. Then press the power button labeled PWR. The red power light will illuminate. The app will detect MagicDot.



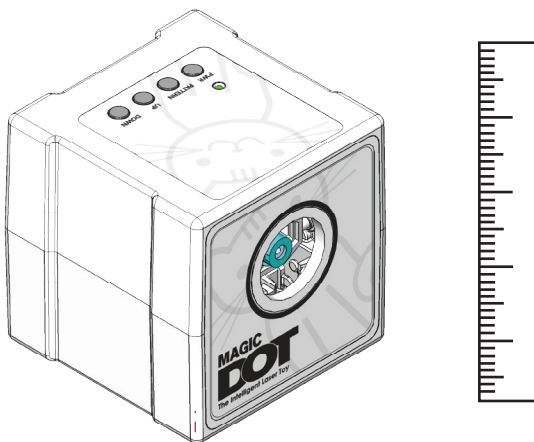
**4**

The MagicDot includes 7 patterns plus a random feature. Pressing the PATTERN button will change the laser drawing pattern.



**5**

If MagicDot is placed at ground level adjust the beam UP by pressing the UP button. If placed on a table adjust beam down by pressing the DOWN button.



**6**

The laser beam's brightness and speed can be controlled from within the app. MagicDot can also be manually controlled or setup to run on a timer from the app.

